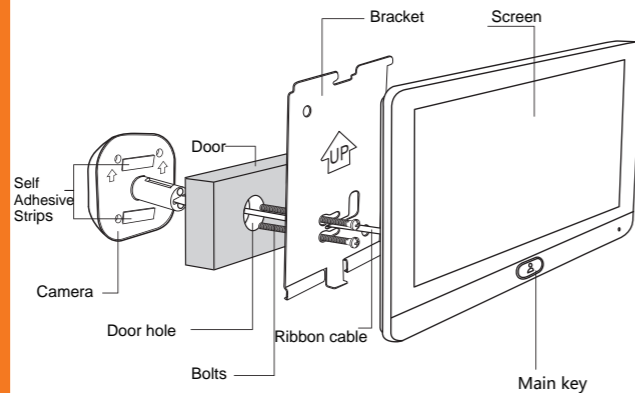
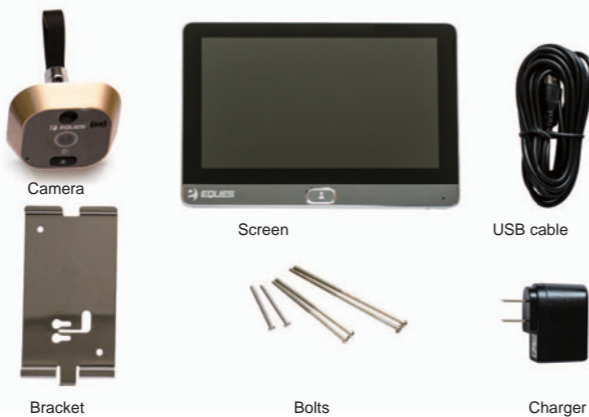




Installation Diagram



Package Contents



Camera	1 piece	Charger	1 piece	Bolts	3 pairs
Screen	1 piece	Bracket	1 piece	USB cable	1 piece

Installation



1 Attach two bolts to the camera loosely.



2 Peel off the protective film from the adhesive strips.



3 Pass the ribbon cable through the door hole.



4 Fasten the camera by pressing it firmly onto the door.



5 Hold the bracket upright(see the UP arrow on the bracket),slide the ribbon cable through the middle slot on the bracket.



6 Align the round end of the top and bottom slots on the bracket with the two bolts on the camera, then slide the bracket toward the camera.



7 Slide the bracket to the left and tighten the bolts.



8 Plug the ribbon cable into the port on the back of the screen.



9 Hang the screen with the concave on its back aligning with the top of the bracket.



10 Swing the lower screen toward the lower bracket.The strong magnet will hold two parts together firmly.



11 Press and hold the Power key for 3 seconds to turn the power on.

① Sleeping mode, press the main key to show the home screen.



② Press main key to see real time video under home screen.

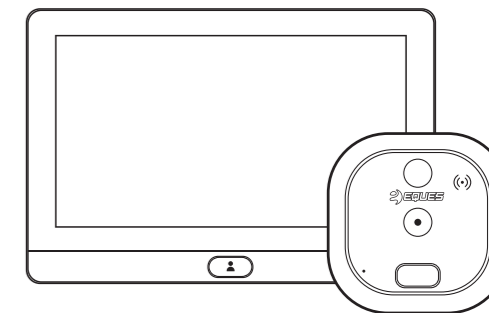
③ Press "< BACK" to exit.



Press this icon to snapshot, press "< BACK" to exit.



APP Download



Wi-Fi Video Doorbell R22

User Manual

Eques Technology Co., Limited

Add: Room301, Building 1, No.168 Jixin Road
Minhang District, Shanghai, China.
Tel: +86 21 54389062
Email: info@eques.com.cn
Website: www.eques.com.cn

Notes

- Do not leave the product on uneven or unstable surfaces to prevent damage caused by falling.
- Handle the ribbon cable with care to avoid damage.
- Do not press on the camera lens or detector lens on the camera.
- Try to avoid placing the device in high-temperature surfaces, high humidity, dusty or other harsh environments as this may reduce the lifespan.

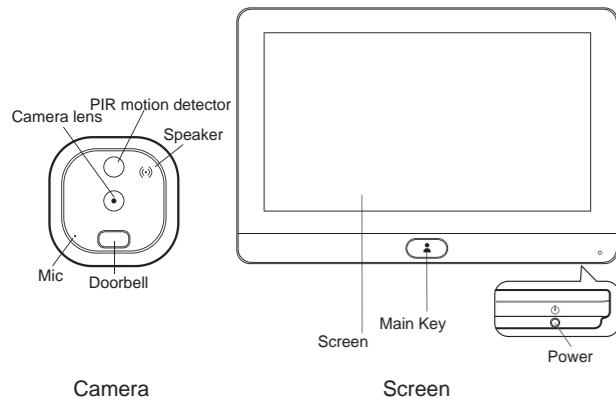
Technical Specifications

Indoor part Dimension: 180x122x18mm
 Outdoor part Dimension: 60x60x50mm
 Door hole range: 14mm-50mm
 Door thickness range: 35mm-110mm
 Battery: 8000 mAh li-polyer battery (Built-in)
 Battery Standby time: 1 month

Notes:

- For door thickness range of 35-60mm, choose 35 mm bolts;
- For door thickness range of 60-90mm, choose 60mm bolts;
- For door thickness range of 90-110mm, choose 80mm bolts.

Parts Description



Camera



"Reset" key in the FPC connector slot on the back of screen, please press it with sharp tools when the device crashed.

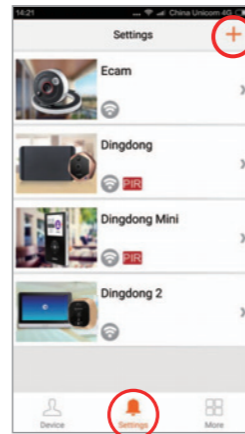
App Download



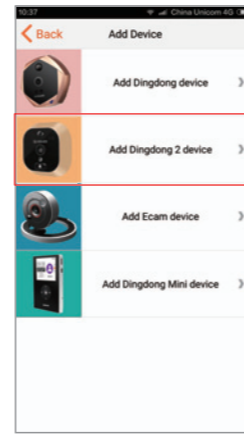
Scan the QR code to download APP

App Instruction

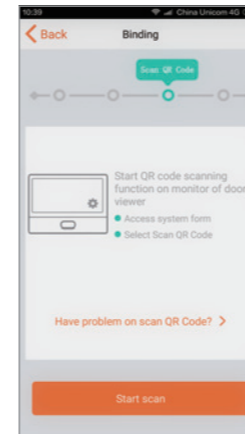
Install App, click the icon to run it.



Login and click the "+" on the top right to add device in settings.



Choose "Add Dingdong R22"



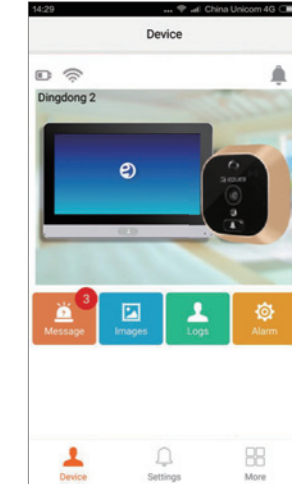
Click "Start scan" to generate QR code.



Use R22 camera scan the QR code, then click "Next"



Scan the QR code, it will show "Binding Success" or "Binding failure".

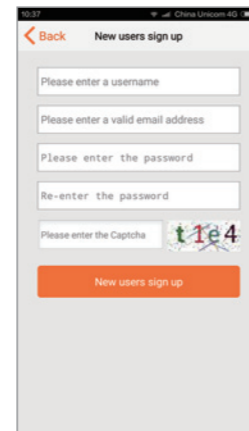


Click the R22 icon to view real time video directly.

How to add device



Make sure the App already installed in your phone.



Open it and register with you own account and password.



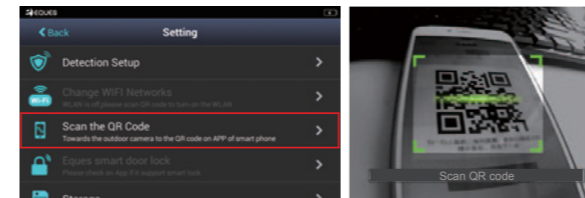
Click the "Start Binding"



Input Wi-Fi router Account and password, the click "Connect"

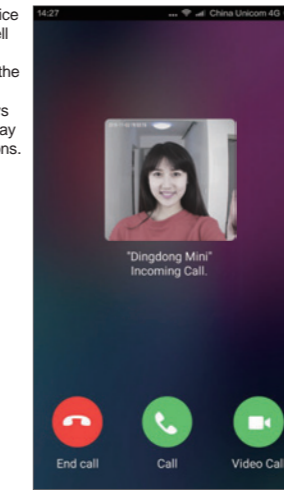


Connect the camera with the screen.

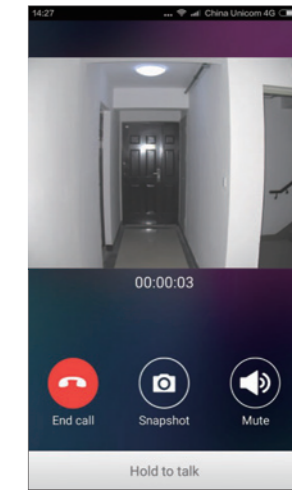


Click "Settings" → choose "Scan QR code"

If bound successfully, the device will communicate with your cell phone via WiFi. It intercepts a door bell press and activates the DingDong app on your phone. The app in turn displays an interface as shown. You may perform the following operations.



Hang up, Answer or Video Talk.



Hang up, Snapshot, Mute.